

EI-100100G Multi-Energy High Throughput X-Ray Security Inspection



Product Instruction

Eastimage is a world's leading security equipment supplier headquartered in Shanghai, using the high cost-effective security products and the professional security solutions as our significant characteristics to stand out from the industry.

EI-100100G is a practical large tunnel design security equipment for for large size luggage inspection like flight luggage cases and so on. With adjustable conveyor speed(0.2 or 0.4 m/s) and proprietary image display technology ,EI-100100G can improves security check efficiency by 2 times or more while maintaining image quality.

Technology Features

- ◆ Shiny clear images
- ◆ Sophisticated design with multi-functions operator interface
- ◆ High- resolution
- ◆ Collection the high-speed parallel of detection data
- ◆ With network interface to achieve total network management
- ◆ Support JPG & BMP image transformation format to USB

Applications

- ◆ Civil aviation
- ◆ Highway
- ◆ Port
- ◆ Railway
- ◆ Custom

General Specification

- Tunnel size.....1020 mm (W) x 1020 mm (H)
- Conveyor Speed.....0.2 m/s/ 0.4 m/s (Two steps adjustable)
- Conveyor Height.....300 mm
- Max. Load.....200 kg (Evenly distributed)
- Resolution.....Typical: AWG 40 Standard: AWG 36
- Penetration(Steel).....Typical: 32 mm Standard: 30 mm
- Spatial Resolution.....Horizontal: Φ1.3 mm Vertical: Φ1.6 mm
- Image Resolution.....19"LED (Double Display)

Image Processing System

- Display.....Black / White, Color
- Processing Function.....F1/F2/F3 self-definition combination, edge enhancement, negative, partial enhancement, gray scale scan.
- Saves Capacity & Pull back.....100,000 images / infinite review (the previous pictures)
- Resolution.....1440 × 900
- Processing & Gray Scale.....24Bit real-time processing/65536
- Enlargement.....Up to 64X dynamic continuous zoom & panning

X-Ray Generator

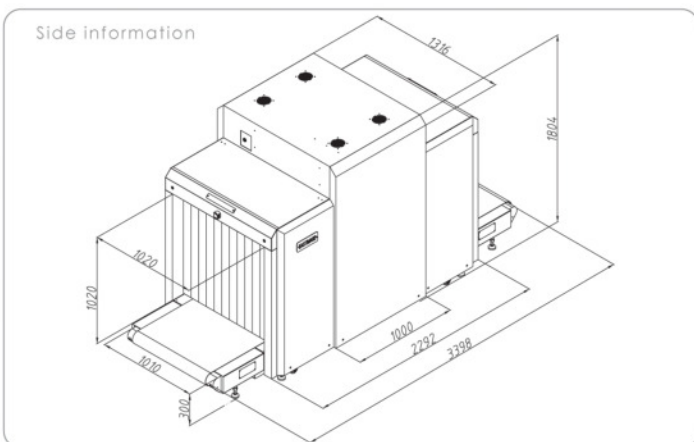
- Anode Voltage.....160 KV (adjustable)
- Beam Direction.....From top
- Cooling & Running Cycle.....Sealed oil cooling & 100%
- X-Ray Sensor.....Single-energy L photoelectric diode array detector

IPC Configuration

- Standard Function.....Win7; RAM: 2GB; Hard Disk: 500G; Video Card: 2G;
- Optional Function.....RAM: 4G、8G、16G; Hard Disk: 1T、2T; Video Card: 4G、8G;

X-Ray Security

- Single inspection dose rate.....< 2μGy
- Leakage.....< 1μGy/h (5cm distance from outer), According to the national and international Safety standard
- Film Safty.....According to the ISO1600 (33DIN) High speed standard



System Function

- Alarm Function
- Browse
- Fault Self-diagnosis and Maintenance Functions
- Image Navigation
- Limits of Authority Management for Operator
- System Working Timing
- TIP
- User Management
- Urgent Stop
- Working Status Display
- Outlet Skateboard
- Image Split Joint
- Single-directional Scanning
- Date & Time Display
- High Density Alarm
- Image Magnification Display
- Luggage Counting
- Network Interface
- One-key Shutdown
- Self-check Power-on
- Save and Retrieval
- Save As
- Ultra-thin Scanning
- X-Ray Emission Timing
- X-Autosight

Optional Function

- Bi-directional Scanning
- EI-BB100 Black Box
- OTP The Operator Training Program
- Voltage Stabilizer
- Voice Recording Function
- Energy Saving
- UPS Uninterruptible Power Supply
- LED Screen Display
- Voice Announcement Function

Black Box

- Using the professional video equipment, EI-BB100 can combine x-ray image, specific package and its owner into one system, to help operators review and analysis after crisis. With this extended function, the operators can quickly target the potential suspects. This system is not only user friendly but also has the remarkable effects which win the warm praise from the public security police officers.

EI-BB100 is an international advanced product and an innovation in the security industry, Shanghai Eastimage has the exclusive patents.



Installation Data

- Size.....3398 mm (L) x 1316 mm (W) x 1804 mm (H)
- Weight.....1200 KG
- Working Temperature / Humidity.....0°C ~ + 45°C / 10% ~ 95% (non-condensing)
- Storage Temperature / Humidity.....- 40°C ~ + 60°C / 10% ~ 95%(non-condensing)
- Power Supply.....AC 220 V(+10%~-15%) 50±3 (Hz)
- Power consumption.....About 0.50 (KVA)

Health And Safety

Remark: above data base on National Standard GB15208.2

According to the national standard of the People's Republic of China GB15208.1-2005 and the international standards for radiation safety.

The copyright belongs to EastImage Equipment Co. Ltd Shanghai, China, Our products have domestic and international patents, must be strictly investigate if any parties copy the design and technology in future.



Our company has won QMS "ISO9001: 2008", EMS "ISO 14001:2004", OHSMS"GB/T28001-2011". EI-100100G won "EU CE certification".

ISA Building, #122 P. Cruz Street, Brgy. San Jose, Mandaluyong City 1550
 Pilotline: (02) 535-3535 | Inquiry Hotline: (02) 925-3230
 Cell Sun: (0925) 727-1555 | Cell Globe: (0917) 727-1555

info@isa.com.ph / www.isa.com.ph



Integrated Security and Automation, Inc.

ONE-1-STEP AHEAD