

EI-V6040 Multi-Energy X-Ray Security Inspection Equipment



Product Instruction

Eastimage is a world's leading security equipment supplier headquartered in Shanghai, using the high cost-effective security products and the professional security solutions as our significant characteristics to stand out from the industry.

EI-V6040 is a practical x-ray security equipment which has been widely applied for public security organs and its medium tunnel design is specially for scanning parcels, backpacks, hand luggage, cabin baggage and so on.

EI-V6040 has high mobility (and could be easily move to any locations which need the security inspection) through rolling casters.

EI-V6040 is an ideal model for baggage scanning because of its reasonable design and various image-processing functions.

Technology Features

- ◆ Shiny clear images
- ◆ Sophisticated design with multi-functions operator interface
- ◆ High- resolution
- ◆ Can increase the conveyor speed to 0.3m/s(Customized)
- ◆ Collection the high-speed parallel of detection data
- ◆ With network interface to achieve total network management
- ◆ Support JPG & BMP image transformation format to USB

Applications

- ◆ Public Security Organs
- ◆ Exhibition Halls
- ◆ Tourist Attractions
- ◆ Conference Center
- ◆ Museums

General Specification

- Tunnel size.....624 mm (W) x 425 mm (H)
- Conveyor Speed.....0.2 m/s
- Conveyor Height.....678 mm
- Max. Load.....160 kg (Evenly distributed)
- Resolution.....Typical: 40 AWG Standard: 38 AWG
- Penetration(Steel).....Typical: 34 mm Standard: 30 mm
- Spatial Resolution.....Horizontal: Φ 1.0 mm Vertical: Φ 1.0 mm
- Image Resolution.....19"LED (Single Display)

Image Processing System

- Display.....Black / White, Color
- Processing Function.....F1/F2/F3 self-definition combination, edge enhancement, negative, partial enhancement, gray scale scan.
- Saves Capacity & Pull back.....100,000 images / infinite review (the previous pictures)
- Resolution.....1440 x 900
- Processing & Gray Scale.....24Bit real-time processing/65536
- Enlargement.....Up to 64X dynamic continuous zoom & panning

X-Ray Generator

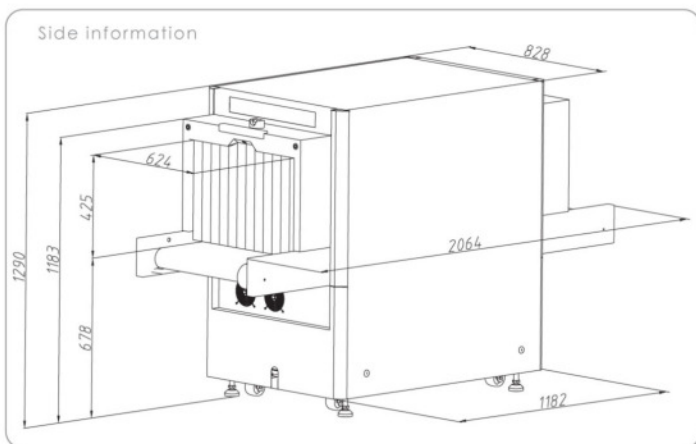
- Anode Voltage.....160 KV (adjustable)
- Beam Direction.....From bottom
- Cooling & Running Cycle.....Sealed oil cooling & 100%
- X-Ray Sensor.....Multi-energy L photoelectric diode array detector

IPC Configuration

- Standard Function.....Win7; RAM: 2GB; Hard Disk: 500G.
- Optional Function.....RAM: 4G、8G、16G;
Hard Disk: 1T、2T;
Video Card: 2G、4G、8G;

X-Ray Security

- Leakage.....< 1 μ Gy/h (5cm distance from outer), According to the national and international Safety standard
- Film Safty.....According to the ISO1600 (33DIN) High speed standard



System Function

- Alarm Function
- Browse
- Fault Self-diagnosis and Maintenance Functions
- Image Navigation
- Limits of Authority Management for Operator
- System Working Timing
- TIP
- User Management
- Urgent Stop
- Working Status Display
- Extend Protective Cover and Double-layer Lead Curtain In Entry and Exit
- Bi-directional Scanning
- Date & Time Display
- High Density Alarm
- Image Magnification Display
- Luggage Counting
- Network Interface
- One-key Shutdown
- Self-check Power-on
- Save and Retrieval
- Save As
- Ultra-thin Scanning
- X-Ray Emission

Optional Function

- Double Display
- EI-BB100 Black Box
- Voltage Stabilizer
- 0.6m Entry Flatbed Roller Tables, 1.2m Exit Skateboard
- Energy Saving
- OTP The Operator Training Program
- UPS Uninterruptible Power Supply

Black Box

- Using the professional video equipment, EI-BB100 can combine x-ray image, specific package and its owner into one system, to help operators review and analysis after crisis. With this extended function, the operators can quickly target the potential suspects. This system is not only user friendly but also has the remarkable effects which win the warm praise from the public security police officers.

EI-BB100 is an international advanced product and an innovation in the security industry, Shanghai Eastimage has the exclusive patents.



Installation Data

- Size.....2064 mm (L) x 828 mm (W) x 1290 mm (H)
- Weight.....600 KG
- Working Temperature / Humidity.....0°C ~ + 45°C / 10% ~ 95% (non-condensing)
- Storage Temperature / Humidity.....- 40°C ~ + 60°C / 10% ~ 95%(non-condensing)
- Power Supply.....AC 220 V(+10%~-15%) 50 \pm 3 (Hz)
- Power consumption.....About 0.42 (KVA)

Health And Safety

Remark: above data base on National Standard GB15208.2

According to the national standard of the People's Republic of China GB15208.1-2005 and the international standards for radiation safety.

The copyright belongs to EastImage Equipment Co. Ltd Shanghai, China, Our products have domestic and international patents, must be strictly investigate if any parties copy the design and technology in future.



Our company has won QMS "ISO9001: 2008", EMS "ISO 14001:2004", OHSMS"GB/T28001-2011". EI-V6040 won "EU CE certification".

ISA Building, #122 P. Cruz Street, Brgy. San Jose, Mandaluyong City 1550
Pilotline: (02) 535-3535 | Inquiry Hotline: (02) 925-3230
Cell Sun: (0925) 727-1555 | Cell Globe: (0917) 727-1555

info@isa.com.ph / www.isa.com.ph



Integrated Security and Automation, Inc.

ONE-1-STEP AHEAD